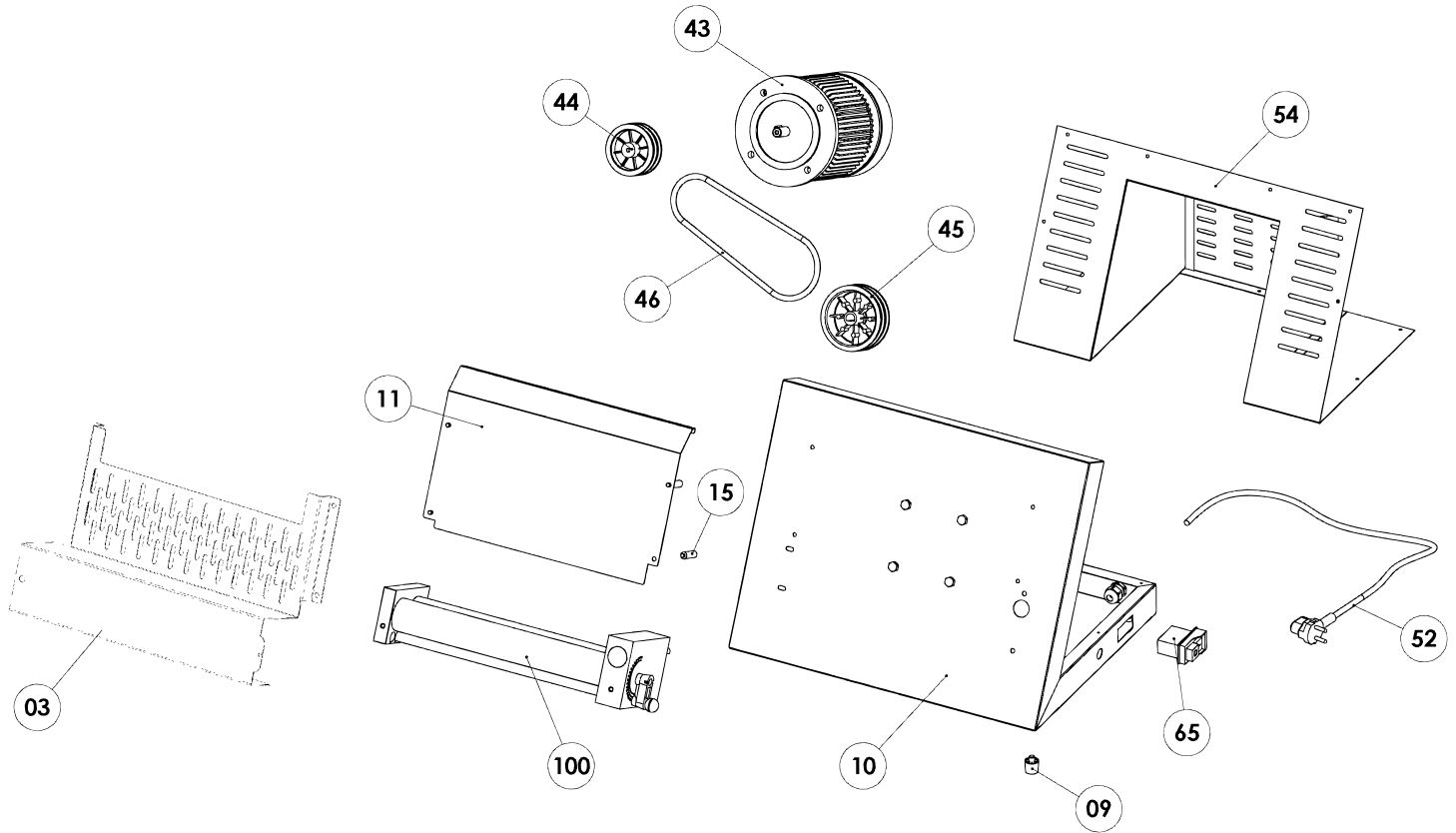


# Parts Breakdown

Model **BE-IT-0400** 40640

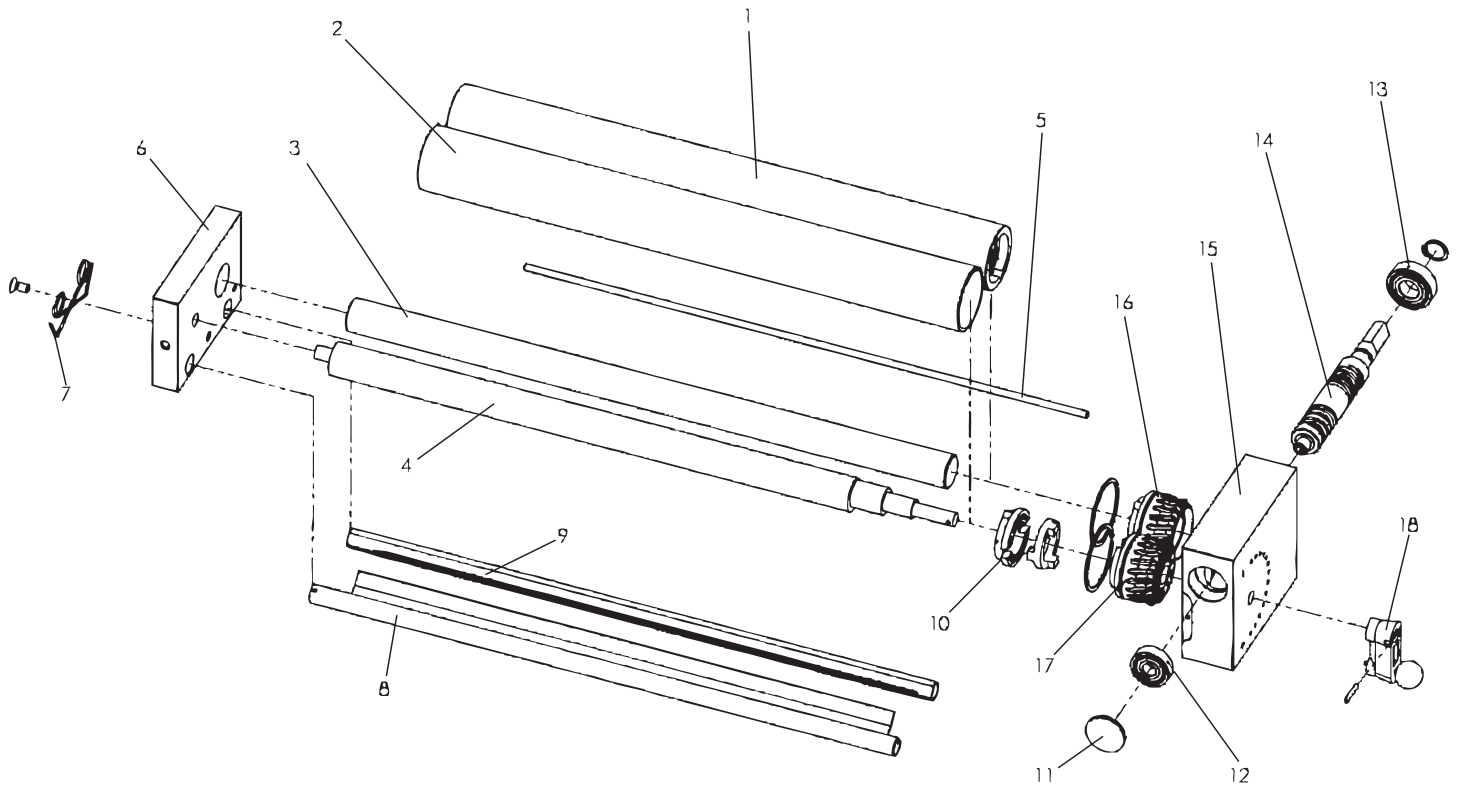
**Complete Unit**



# Parts Breakdown

Model **BE-IT-0400** 40640

**Lower Rolling Unit**



# Parts Breakdown

**Model BE-IT-0400** 40640

**Complete Unit**

Item No.	Description	Position	Item No.	Description	Position	Item No.	Description	Position
AE661	Safety Protection for 40640	03	63556	Motor 110V-60HZ 0, 37kW-0, 5HP B5 for 40640	43	63561	Motor Casing Assembly for 40640	54
79651	Black Corner Foot Rivet for 40640	09	63557	Plastic Motor Pulley for 40640	44	63562	KLD-28A Start/Stop Green/Red Button/Switch for 40640	65
63552	Steel Enclosure for 40640	10	63558	Plastic Reduction Pulley for 40640	45	49502	Lower Roller Unit Roll Mach Red Ral 3020 for 40640	100
63553	Steel Slide for 40640	11	AH998	Belt 8x540 for 40640	46			
63554	10x37 Upper Spacer for 40640	15	63560	Feed Cable SJT3x14AWG for 40640	52			

## Lower Rolling Unit

Item No.	Description	Position	Item No.	Description	Position	Item No.	Description	Position
63563	Lower Cylindrical Roller 1 for 40640	1	79650	Pizza Dough Scraper Spring for 40640	7	63573	6202 ZZ Bearing 1 for 40640	13
63564	Lower Eccentric Roller 1 for 40640	2	63569	Front Aluminum Pizza Dough Scraper 1 for 40640	8	63574	Cylindrical Screw (Rolls Center Distance of 50) 1 for 40640	14
63565	Lower Cylindrical Shaft 1 for 40640	3	63570	Back Aluminum Pizza Dough Scraper 1 for 40640	9	63575	Lower Reduction Gear Support 1 for 40640	15
63566	Lower Eccentric Shaft 1 for 40640	4	79646	Male/Female Group Joint for 40640	10	79647	Cylindrical Gear for 40640	16
63567	5x438 Steel Rod 1 for 40640	5	63571	Red Ral 3020 Cap 1 for 40640	11	79648	Eccentric Gear for 40640	17
63568	Lower Small Support 1 for 40640	6	63572	6200 ZZ Bearing 1 for 40640	12	79649	Pizza Dough Roll Mach Thickness Adjustment Group (Red) for 40640	18